

Introducing the **DMC-10**



Structured Wiring Intercom System



Linear's M&S Systems Brand Model DMC-10 Structured Wiring Intercom System offers several advanced features never before available in an intercom system. Its distributed hub design provides easy installation and structured wiring mounting compatibility necessary for modern residential and light commercial applications.

The room, door, and patio stations showcase a new contemporary design, crafted to blend smoothly into the installation's decor. Station faceplates are available in a variety of colors to further customize each installation. Room station keypads are illuminated with soft blue LEDs, while the intercom is in use. The door and patio station keys are illuminated with white lighting for easy nighttime operation.

The heart of the system is the Model DMC-10H Intercom System Hub. The system hub grid mounts in a structured wiring enclosure. Up to eight room, door, and patio stations in any combination can be connected to the system hub with standard Cat-5 cable, each up to 500 feet away. For larger installations, a second system hub can be added for expansion, providing a total system capacity of up to 16 stations.

The room, patio, and door stations mount inside standard 2-gang junction boxes and are easy to install and wire. All stations and the system hub contain Type 110 punch-down terminal blocks for fast and reliable connection to Cat-5 cable.

Visitors announce their arrival by pressing the door station's pushbutton, sounding one of three selectable chimes on each of the room and patio stations. Crisp sounding, hands-free, voice communications, greet the visitor with a clear welcome. Automated access can be granted to the visitor from any room station via an electrical door strike connected to the system hub.

Room and patio stations impart clear, hands-free, room-to-room voice communication throughout the installation.

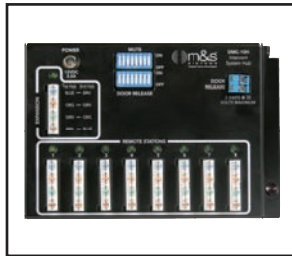
The system also supports whole house music with the addition of the Model DMC-10AWP Audio Input Wall Plate. A local audio source connected to the wall plate will play monaural sound through each station's speaker. The wall plate also features a mute output for interrupting an independent audio source while the intercom is being used, and a line level adjustment.

Several additional features provide each room and patio station with extended capabilities. Stations can be set to monitor the sounds in specific rooms or listen to all rooms. For privacy, the mute feature disables a station's microphone. For complete solitude, the do-not-disturb feature disables a station's speaker and microphone.

Outstanding features, contemporary design, easy installation, and operation make the Model DMC-10 Structured Wiring Intercom System the perfect choice for your next intercom installation.

DMC-10 Components & Features

The Model DMC-10 Structured Wiring Intercom System and its accessories provide a wealth of valuable features, both for the installer and for the user.



DMC-10H

Intercom System Hub

- ✓ Supports any mix of up to 8 room, patio, or door stations, up to 16 stations using two hubs
- ✓ Connects to stations with standard Cat-5 wiring (up to 500 feet per station)
- ✓ Type 110 punch-down Cat-5 color-coded terminals for stations and optional expansion hub
- ✓ Privacy mute and door release overrides selectable by station
- ✓ 3-amp rated integral door release relay
- ✓ Operational status indicators for each station
- ✓ Grid mounts in structured wiring enclosure



DMC-10RS

Intercom Room Station

- ✓ Contemporary design with multi-level blue keypad backlighting
- ✓ White faceplate included, almond & black available to match any decor
- ✓ Connects to intercom hub with standard Cat-5 wiring (up to 500 feet per station)
- ✓ Door talk, door release, privacy mute, do-not-disturb, hands-free communications, and monitor features
- ✓ Eight step digital volume control
- ✓ Fits standard 2-gang J-box



DMC-10PS

Intercom Patio Station

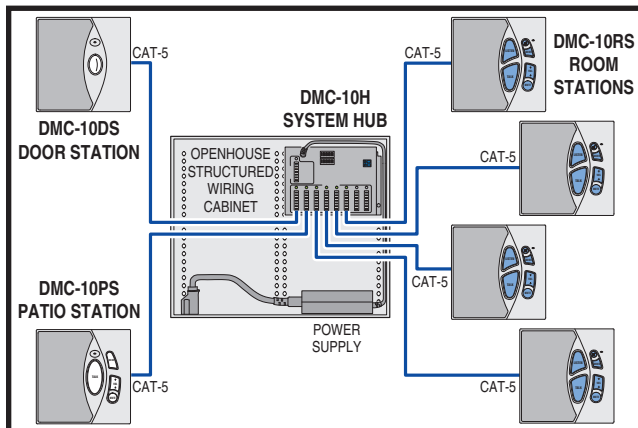
- ✓ Contemporary design with multi-level white keypad backlighting
- ✓ White faceplate included, antique brass, bright brass, and satin nickel available to match any decor
- ✓ Connects to intercom hub with standard Cat-5 wiring (up to 500 feet per station)
- ✓ Greet visitors from patio station using door talk feature
- ✓ Privacy mute, and do-not-disturb features
- ✓ Eight step digital volume control
- ✓ Fits standard 2-gang J-box



DMC-10DS

Intercom Door Station

- ✓ Contemporary design
- ✓ White faceplate included, antique brass, bright brass, & satin nickel available to match any decor
- ✓ Connects to intercom hub with standard Cat-5 wiring (up to 500 feet per station)
- ✓ Extended life white LED backlit doorbell button for easy night operation
- ✓ Hands-free communications for the visitor
- ✓ Choose from three distinct chime sounds
- ✓ Fits standard 2-gang J-box



DMC-10 Accessories and Kits

- ➔ DMC-10KIT Four room stations, one door station, one system hub
- ➔ DMC-10RFW-4 Four white room station faceplates
- ➔ DMC-10RFB-4 Four black room station faceplates
- ➔ DMC-10RFA-4 Four almond room station faceplates
- ➔ DMC-10PFW-4 Four white patio station faceplates
- ➔ DMC-10PFBB-4 Four bright brass patio station faceplates
- ➔ DMC-10PFAB-4 Four antique brass patio station faceplates
- ➔ DMC-10PFSN-4 Four satin nickel patio station faceplates
- ➔ DMC-10DFW-4 Four white door station faceplates
- ➔ DMC-10DFBB-4 Four bright brass door station faceplates
- ➔ DMC-10DFAB-4 Four antique brass door station faceplates
- ➔ DMC-10DFSN-4 Four satin nickel door station faceplates
- ➔ DMC-10AWP Audio Input Wall Plate



Distributed by:

Linear

(760) 438-7000
 USA & Canada (800) 421-1587 & (800) 392-0123
 Toll Free FAX (800) 468-1340
www.linearcorp.com