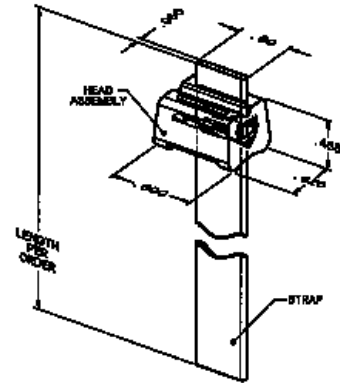
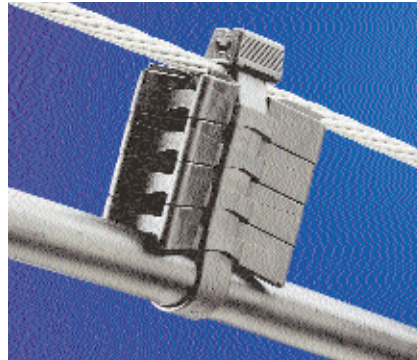


EI-Ty (Extended Length Ties)

HellermannTyton's EI-Ty is a high strength strapping system used for supporting, securing, fastening, and spacing cable, as well as a variety of other applications requiring extra-long, extremely durable strapping.

The EI-Ty consists of a smooth strap and a separate, compact plastic head which encloses a stainless steel gripper. The stackable spacer works with the EI-Ty for a versatile, easy to install spacing system. It has a minimum loop tensile strength of 250 pounds and has a continuous operating temperature range of -40°F to 185°F (-40°C to 85°C). The EI-Ty complies with Bellcore Specification Reference TR-TSY-00789.

The EI-Ty strap and head are manufactured from black, acetal homopolymer with excellent dielectric properties, UV and chemical resistance, with a UL94-HB flame rating. It has been tested for excellent weatherability against moisture, sunlight, and other environmental conditions.



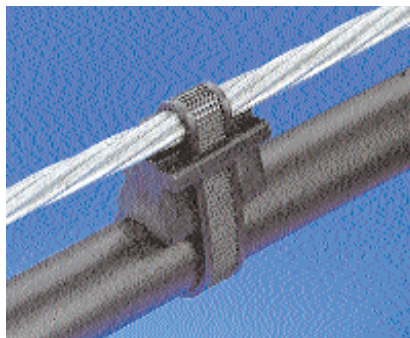
U.S. Patent Numbers 4,993,669 and 5,102,075

EI-Ty				
Hellermann Tyton Part No.	Description	Pkg. Qty.	Hellermann Tyton Installation Tools	
TELS-1	50 ft. of strap on reel dispenser and 30 heads	1 kit	MK9 or T250	
TELS-H	25 double entry, double locking heads	25 heads		
TELS-13	10 - 13.5 inches of cable strap with 10 double locking heads	10 straps/heads		
TELS-27	10 - 27 inches of cable strap with 10 double locking heads	10 straps/heads		
TELS-5K	Kit of 5 reels and 150 heads. Each reel dispenser contains 50 ft.	1 kit		
TELS-10K	Kit of 10 reels and 300 heads. Each reel dispenser contains 50 ft.	1 kit		
TELS-SPK2	Spacer designed for use with the EI-Ty	50 pcs.		
TELS-SPOOL	50 ft. of strap on reel	1 reel		

Aerial Support Spacer Ties

Aerial support spacer ties are one-piece ties designed for standard spacing applications. These ties are pre-grouped in handy multiples of 5 to save installation time.

The strap is molded from special high impact nylon 6/6. The spacers are made from a high density outdoor black polypropylene. Both materials in this one piece tie offer resistance to sunlight, saltwater, and harsh chemical environments.



Aerial Support Spacer Ties						
Hellermann Tyton Part No.	Min. Tensile Strength (lbs.)	Approx. Length In. (mm.)	Approx. Width In. (mm.)	Max. Bundle Diameter In. (mm.)	Std. Pkg. Qty.	HellermannTyton Installation Tools
TAS100RWS	100	7.5" (190.5)	.50" (12.7)	1.75" (44.4)	100	MK9 or T250
TAS100MWS	100	10.0" (254)	.50" (12.7)	2.75" (69.9)	100	
TAS100LWS	100	16.0" (406.4)	.50" (12.7)	4.50" (114.3)	100	