

LEDW60 product information sheet

Product Specifications

Fits most: 23" – 52" flat panels

Weight tested to: 240 lbs (109 kg)

Max weight recommended: 60 lbs (27.2 kg) in a stud or solid wall; 30 lbs (13.6 kg) in drywall

Mounting profile: .68" (17mm)

VESA compliant: 200mm, 300mm and 400mm wide

Mounting: single-stud, solid wall or drywall

Warranty: 5 years

Color: Black



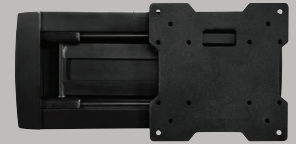
Product Benefits

- Suspension System™ design hangs your TV just like a picture frame – quick, safe and flush to the wall
- Engineered for superior strength using aircraft-grade materials
- Designed with a flush profile to complement ultra thin TVs
- Compatible with LED, LCD, Plasma and 3D TVs
- Built-in kickstand supports panel off the wall for hassle-free wiring
- Retention clip secures cable for added safety
- TPR™ grips keep panel in place
- Four-point attachment allows for unlimited compatibility in height
- Eco-friendly product design and packaging
- Includes complete universal hardware kit plus three suspension cables for compatibility with all TV brands



The LEDW60 is engineered for a minimal profile and incredible strength using aircraft-grade materials.

Series



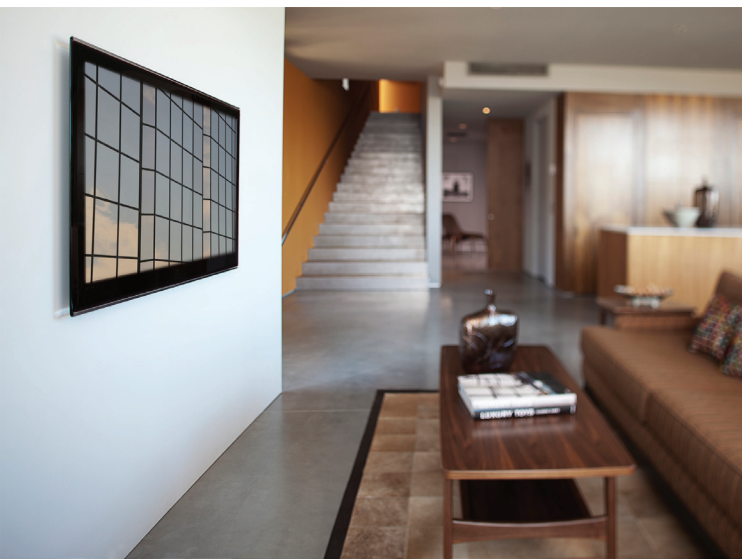
LEDP75



LEDW60



LEDW120



OmniMount, an innovator of A/V mounts and furniture for more than a quarter century, is the choice of professional installers and the brand most recommended by flat panel manufacturers. With aircraft-grade materials, patent-pending technology and ultra thin profiles, the LED Series is the next generation of TV mounts designed for newer, lightweight LED, LCD, Plasma and 3D TVs. Designed with aircraft-grade cable and aluminum alloy, the LEDW60 combines industrial strength materials with an efficient low-profile design for a truly breakthrough Suspension System™ mount for LED TVs up to 60 lbs (27.2 kg).



LEDW60 technical data sheet



OmniMount, an innovator of A/V mounts and furniture for more than a quarter century, is the choice of professional installers and the brand most recommended by flat panel manufacturers. With aircraft-grade materials, patent-pending technology and ultra thin profiles, the LED Series is the next generation of TV mounts designed for newer, lightweight LED, LCD, Plasma and 3D TVs. Designed with aircraft-grade cable and aluminum alloy, the LEDW60 combines industrial strength materials with an efficient low-profile design for a truly breakthrough Suspension System™ mount for LED TVs up to 60 lbs (27.2 kg).



Product Specifications

Fits most: 23" – 52" flat panels

Weight tested to: 240 lbs (109 kg)

Max weight recommended: 60 lbs (27.2 kg) in a stud or solid wall; 30 lbs (13.6 kg) in drywall

Mounting profile: .68" (17mm)

VESA compliant: 200mm, 300mm and 400mm wide

Mounting: single-stud, solid wall or drywall

Warranty: 5 years

Color: Black

Product Benefits

- Suspension System™ design hangs your TV just like a picture frame – quick, safe and flush to the wall
- Engineered for superior strength using aircraft-grade materials
- Designed with a flush profile to complement ultra thin TVs
- Compatible with LED, LCD, Plasma and 3D TVs
- Built-in kickstand supports panel off the wall for hassle-free wiring
- Retention clip secures cable for added safety
- TPR™ grips keep panel in place
- Four-point attachment allows for unlimited compatibility in height
- Eco-friendly product design and packaging
- Includes complete universal hardware kit plus three suspension cables for compatibility with all TV brands

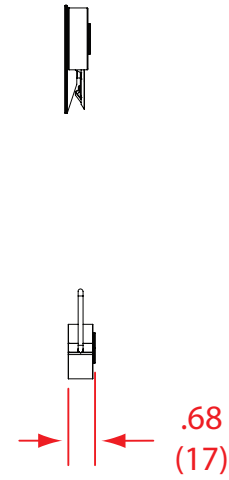
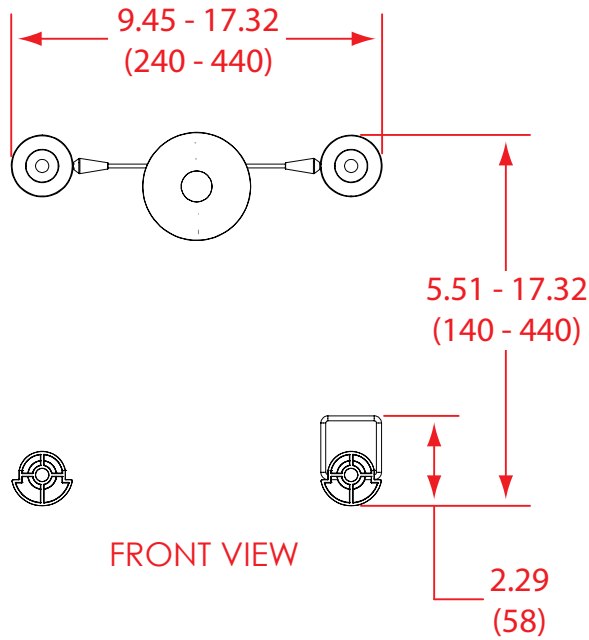
	Stock Code	Packaging UPC	MC UPC
Americas	1004853-1	728901026621	728901720079
International	1004853INT-1	728901026621	728901720079

	Dimensions WxDxH Inches (mm)	Wt lbs (kg)
Product Box	10 x 13 x 2 (255x330x50)	2.8 (1.3)
Master Carton	14.2 x 22.1 x 4.5 (360x560x115)	13.2 (6)

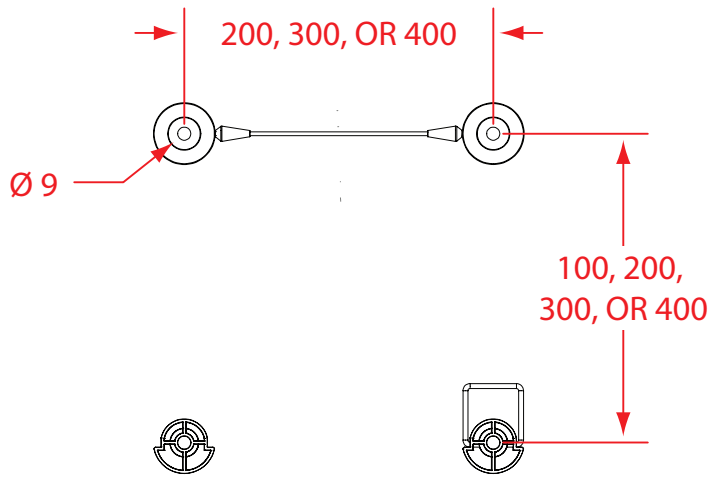
Box Contents	Qty
200mm wide cable	1
300mm wide cable	1
400mm wide cable	1
Suspension ring with retention clip	1

Box Contents	Qty
Wall spacer with kickstand	1
Wall spacer	1
Universal hardware kit	1
Instruction manual	1

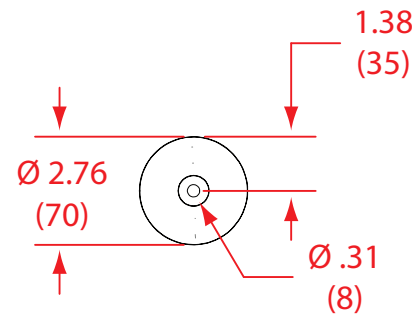
LEDW60 line drawing



MOUNTING PROFILE



PANEL ATTACHMENT -
VESA COMPATABILITY (mm)



WALL MOUNTING

inches (mm)

Architects Specifications

The flat panel wall mount shall be an Omnimount LEDW60 and shall be located where indicated on the plans. It shall be constructed of Aluminum along with Aircraft Grade Components. Assembly and installation shall be done according to instructions provided by the manufacturer.