



CASE & MOUNT, for iPad®



PRODUCT SPECIFICATIONS

- VESA compliant:** 100x100
- Portrait to Landscape rotation:** Yes
- Mounting:** Magnetic
- Warranty:** 5 years
- Stand Color:** Silver with black accent
- Case Color:** Matte black with silver accent

FOR IPAD MINI™

FOR IPAD AIR™

FOR IPAD GENERATION 2, 3, 4

Do more than protect your iPad with this magnetic case and wall mount duo. Easily hang your iPad in any space, using multiple wall mounts for even more versatility. The tactile case is perfect for handheld activities and the magnetic feature makes moving an iPad from one mount to the next a snap.

PRODUCT BENEFITS

- Simple, magnetic connection
- Ultra thin protective case
- Works with Apple® Smart Cover®
- Case and Mount duo offers versatility and protection for your device
- Mount or move your iPad in seconds
- Case cutouts allow access to camera and controls
- Slim design and tactile surface
- Magnetic ring offers easy on, easy off connection to wall mount
- Mount on-wall or any VESA 100 mount
- Helps keep your iPad safe, secure and in perfect view for hands-free use whenever, wherever
- Great for use in the kitchen, bedroom and office
- Perfect when using an iPad for home automation and control

SERIES:



CASE & STAND

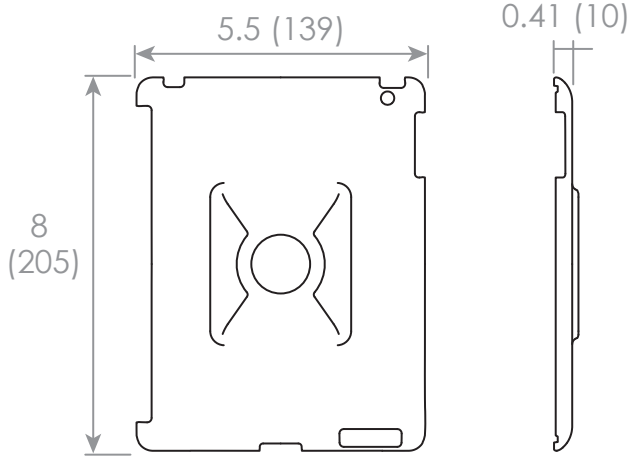
MOUNT



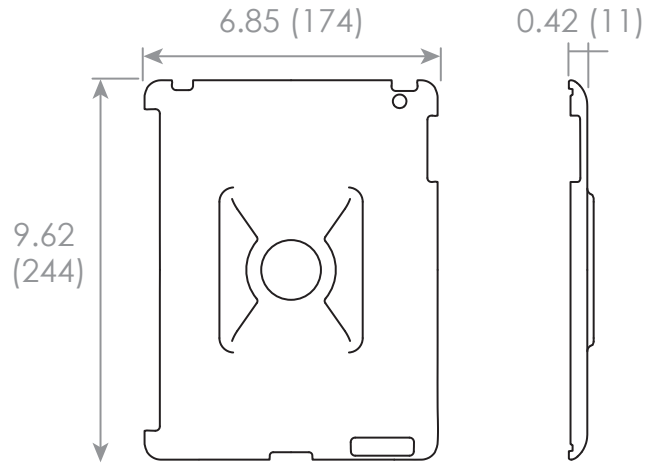
The easy on, easy off magnetic design is a great way to display or store an iPad and move it from one area to the next.

CASE & MOUNT, for iPad®

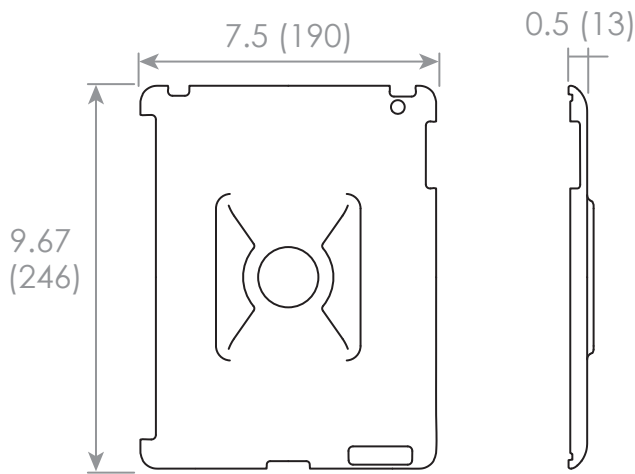
inches / mm



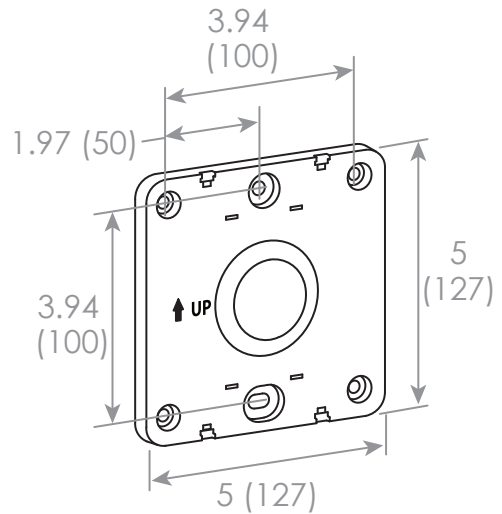
CASE FOR iPad mini



CASE FOR iPad AIR



CASE FOR iPad GENERATION 2, 3, 4



WALL MOUNT FOR iPad

	Packaging UPC	MC UPC
For iPad mini		
Americas	TBD	TBD
International	TBD	TBD
For iPad Air		
Americas	TBD	TBD
International	TBD	TBD
For iPad Generation 2, 3, 4		
Americas	TBD	TBD
International	TBD	TBD

Box Contents	Qty
Case	1
Mount	1

	Dimensions WxDxH inches (mm)	Wt lbs (kg)	Qty
For iPad mini			
Box	8.6" x 1.1" x 10.8" (218mm x 29mm x 274mm)	TBD	NA
MC	8.7" x 6" x 11.8" (221mm x 153mm x 300mm)	TBD	6
For iPad Air			
Box	8.6" x 1.1" x 10.8" (218mm x 29mm x 274mm)	TBD	NA
MC	8.7" x 6" x 11.8" (221mm x 153mm x 300mm)	TBD	6
For iPad Generation 2, 3, 4			
Box	8.6" x 1.1" x 10.8" (218mm x 29mm x 274mm)	TBD	NA
MC	8.7" x 6" x 11.8" (221mm x 153mm x 300mm)	TBD	6

Box Contents	Qty
Instruction manual	1