

**C-1001
Speaker Distribution 1 Pair in x 8
Pair out**



- Requires impedance matching transformers on the volume control
- Single 2-channel (L/R) audio input; distribute up to (8) rooms
- 4 position terminal blocks, UL rated 125V @6A, accepts 14-20 AWG wire
- 45 degree wire entry simplifies installation and holds wires securely
- Supports power levels to 200 watts

**C-1201
IR Distribution Module**



- (8) IR-receivers into one common output
- Combines multiple rooms to one connecting block
- 3-Wire input

**IR-1200
Simple IR Hub**



- Connect one IR-receiver to one emitter
- Quick & easy setup
- Power supply included

**IR-2005 NEW
J-Box-IR-Receiver**



- Plasma-proof IR-receiver
- Receive signals from a hand-held remote control up to 40 ft. away
- Acceptance angle of 130 degrees
- Easily installed in a standard single gang box
- Includes decorator-style trim ring
- 3-Wire screw connection
- Optical and electronic filtering for interference rejection
- Plasma-proof
- IR frequency range: 30kHz - 60kHz

**IR-2105
Stick IR-Receiver w/Adjustable Eye**



- Can be attached to the front of a TV set or equipment rack for simple installation
- Optical and electronic filtering for interference rejection
- Plasma-proof
- IR frequency range: 30kHz - 60kHz

**IR-2202
Tube IR-Receiver**



- Install in cabinet for easy control with doors closed
- PC board slides in and out for greater interference rejection
- 20 degree - 100 degree viewing angle
- Optical and electronic filtering for interference rejection
- Plasma-proof
- IR frequency range: 30kHz-60kHz

**IR-2301
Table Top IR-Receiver**



- Ideal for use on top of a TV set
- Optical and electronic filtering for interference rejection
- Plasma-proof
- IR frequency range: 30kHz-60kHz

**IR-2400 NEW
Remote Head IR-Receiver**



- Can be attached to the front of a TV set or equipment rack for simple installation
- Optical and electronic filtering for interference rejection
- Plasma-proof
- IR frequency range: 30kHz-60kHz
- Receive signals from a hand held remote control up to 40 ft. away

Mounting Accessories Included:

- Mini-bullet hole mount
- Tabletop mount
- Holster mount



Mini-Bullet Hole Mount
Install in cabinet for easy control with doors closed



Tabletop Mount
Applies easily to horizontal surfaces



Holster Mount
Place on vertical surfaces in remote control's line of sight

**IR-3001 NEW
Single IR-Emitter**



- Installs over A/V equipment windows
- Self-adhesive design
- Standard 3.5 mm mono jack is compatible with most IR systems
- Holster mount included

**IR-3002
Dual IR-Emitter**



- Installs over AV equipment windows
- Self-adhesive design
- Visible LED flashes with received IR signals for operation confirmation
- Standard 3.5 mm mini plug input is compatible with most IR systems
- Holster mount included



IR Hubs and connecting blocks make it easy to connect IR receivers and emitters together with a power supply. Amplified hubs buffer the signal while also providing other advanced features. Passive hubs and connecting blocks simply provide a connection point.



IR-4000

IR Coax Engine

- Creates an IR system with existing TV coax wiring (8 TVs Max)
- Run multiple IR receivers with 1 power supply
- Quick and easy installation



IR-4100

IR Coax Adapter

- Creates IR system with existing TV coax wiring
- Located at TV for IR injector
- Quick and easy installation



IR-4500

Coax IR Starter Kit

- (1) IR-4000 IR Coax Engine
- (1) IR-4100 IR-Coax Adapter
- (1) IR-2301 Tabletop IR-Receiver
- (1) IR-3002 Dual IR-Emitter



IR-4510

Coax IR Expansion Kit

- (1) IR-4100 IR-Coax Adapter
- (1) IR-2301 Tabletop IR-Receiver



IR-4180

IR Bypass Cable

- IR over coax accessories
- Bypass RF amps to pass IR over coax Requires IR-4000 & IR-4100
- Use to connect the IR output from one IR system to the IR input of another



IR-5000

All-In-One-IR-Receiver

- Plasma-proof
- Creates a 1-room system
- Control devices behind cabinet doors

Mounting Accessories Included:

- Mini bullet hole
- Tabletop mount
- Holster mount



Mini-Bullet Hole Mount
Install in cabinet for easy control with doors closed



Tabletop Mount
Applies easily to horizontal surfaces



Holster Mount
Place on vertical surfaces in remote control's line of sight

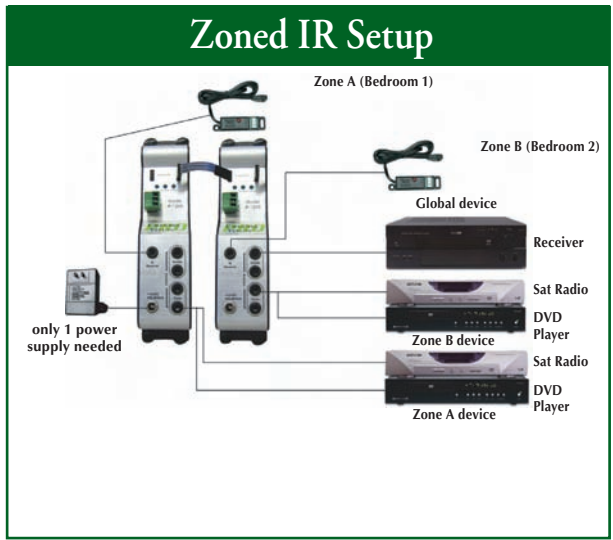
G-IRBW **NEW**
IR Breakout Insert

- 3.5mm plug for IR receivers or emitters
- Fits Channel Vision wall plates
- Available in White (G-IRBW), Ivory (J-IRBI) and Almond (J-IRBA)
- 3-wire terminal connection



P-1205 **PRO**
Amplified IR Hub

- Mini-plug and 3-wire connections
- (1) P-1205 can cascade up to (16) IR-receivers
- (2) global and (2) zoned IR emitters
- Confirmation LEDs
- Can either be mounted in a P-1300 or standard structure wiring panel





iPod® not included



A0312

iBus® Wall Dock

- Compatible with standard distributed AV systems
- Provides video output for viewing on a local TV
- Integrates with IR-receivers for control from multiple household locations
- Charges the iPod
- Is compatible with iPods that use a dock connector including:
 - iPod Video, iPod Photo, iPod, iPod Nano
- Multiple clips provided to accommodate all compatible iPods
- Power supply included



A1260R Shown



A1260R Rear Panel

A1260 / A1260R

Multi-Zone Audio Amplifier

Designed in the USA, this 12-channel amplifier offers plenty of power, clean sound, and reliable performance to satisfy the most discerning audio enthusiasts.

- 12-channel amplifier (17" component style)
- Also available in a 3-rack units high 19", rack mount version (A1260R)
- 60 watts per channel, class A/B amp
- Each zone may be switched between the global input and the local input
- Sources connected to the global input can be heard in all (6) zones
- Independent audio-sensed turn-on circuit only uses power when audio is present
- Toroidal power transformer w/(4)secondaries to maximize separation
- THD+N lower than 0.1%



A4601 / A4601R

Audio/Video Pre-Amplifier Matrix

- (4) sources to (6) zones
- (4) common IR outputs; (6) keypad inputs
- 2 rack units high
- Available as a 19" rack mount version (A4601R)
- This unit may be purchased separately or as part of a kit: A-Kit 1 or A-Kit 2



A4620 / A4620R NEW

4-Input 6-Zone Amplified AV System

- 4 AV Sources to 6 zones
- Built-in amplifier, 20Watts per channel
- 2 rack units high
- Compatible with A0127 keypads and A0501 or A0502 remote control
- Fall 2007 delivery - expand to 12 zone w/2 units

A-Kit 1 / A-Kit 11A

- (1) A4601
- (6) A0127 keypads
- (1) A0501
- (1) A1260
- (4) IR-3001
- (6) Single-gang White wall plates (A-Kit 1)
- (6) Stereo RCA patch cable
- (6) Single-gang Ivory/Almond wall plates (A-Kit 11A)



A-Kit 1

A-Kit 2 / A-Kit 21A

- (1) A4601
- (6) A0127 keypad
- (1) A0501
- (6 pairs) IC612 speakers
- (1) A1260 amplifier
- (4) IR-3001
- (6) Single-gang White wall plates
- (6) Stereo RCA patch cable
- (6) Single-gang Ivory/Almond wall plates (A-Kit1 1A)



A-Kit 2

A0127 / A01271A

Modular Keypad

- Designed to control the A4601
- 3-conductor 22-28 AWG or CAT5 cabling
- RJ-45 or screw terminal connections for easy installation
- IR feedback indicator
- Single-gang box installation
- IR-receiver compatible w/signals from 30-60KHz
- Available in White (A0127W) or Ivory and Almond finish (A01271A)



A0501

Remote Control

- Easily controls your whole-house audio system
- No programming necessary
- Compatible with: P-1044, A4601, and AB-124



A0502 NEW

Remote Control

- Easily controls your whole-house audio system
- No programming necessary
- Compatible with: P-1044, A4601, A0312 (AFFINITY™), and AB-124



VC-300

Volume Control

ARIA's in-wall volume control allows the user to adjust the volume from a remote room in the house.

- -54dB, 12-step attenuation
- 300 watts peak 20Hz-20kHz
- 8-ohms, 100 watts RMS per channel
- Impedance matching for (2), (4), or 8 pairs of speakers
- Removable and solderless 14 gauge speaker "quick connect" terminals
- Includes metal mounting plate and color matched plastic decorator-style insert and knob
- Available in White (VC300W), Ivory (VC300I), Almond (VC300A)



ARIA's Soprano Series custom installation speakers' performance is unmatched by any speaker in its class.



IC502

5-1/4" In-Ceiling Speakers

- 5-1/4" Mica filled polypropylene woofer with Butyl rubber surround, 18 oz. magnet
- 2nd order Linkwitz-Riley crossover, 12dB per octave with thermal-sensing polyswitches to prevent blown tweeter
- Pivoting tweeter: 1" voice coil, enclosed, rare earth neodymium magnet, silk soft dome
- Frequency response: 50Hz-20KHz ± 3dB
- Recommended power: 20W - 100W
- Sensitivity: 88dB(1W/1M)
- 8-ohm nominal impedance
- 14 AWG gold plated terminal posts
- Small perforated designer grille
- Mounting template and paint shield included
- Use with **IC52B** Pre-Construction Bracket (hole size: 6-1/2" D) - sold separately
- Dimensions: 7-3/4" (OD) x 4-1/4" (H)
- Retail packaging

IC52B- Pre-Construction Brackets



IC612

6-1/2" In-Ceiling Speakers



- 6-1/2" Mica filled polypropylene woofer with Butyl rubber surround, 18 oz. ferrite magnet
- 2nd Order Linkwitz-Riley crossover, 12dB per octave with thermal-sensing polyswitches to prevent blown tweeter
- Frequency response: 48Hz-20KHz ± 3dB
- Recommended power: 20W - 150W
- Sensitivity: 89dB(1W/1M)
- 8-ohm nominal impedance
- 14 AWG gold plated terminal posts
- Small perforated designer grille
- Mounting template and paint shield included
- Use with **IC65B** Pre-Construction Bracket (hole size: 7-1/2" D) - sold separately
- Dimensions: 9" (OD) x 4" (H)
- Retail packaging

IC65B- Pre-Construction Brackets



Featuring US-engineered crossover network for a smooth transition from lows to highs and high power handling capability. The Soprano Series provides true stereo quality sound and not simply background music. Its superior performance and price make it a natural choice for multi-room and home theater applications.

IC802

8" In-Ceiling Speakers

- 8" Mica filled polypropylene woofer with Butyl rubber surround, 24 oz. magnet
- 2nd order Linkwitz-Riley crossover, 12dB per octave with thermal-sensing polyswitches to prevent blown tweeter
- Pivoting tweeter: 1-1/2" voice coil, enclosed, rare earth neodymium magnet, silk soft dome
- Frequency response: 40Hz-20KHz ± 3dB
- Recommended power: 20W - 150W
- Sensitivity: 90dB(1W/1M)
- 8-ohm nominal impedance
- 14 AWG gold plated terminal posts
- Small perforated designer grille
- Mounting template and paint shield included
- Use with **IC80B** Pre-Construction Bracket (hole size: 9-1/2" D) - sold separately
- Dimensions: 10-3/4" (OD) x 4-3/4" (H)
- Retail packaging

IC80B- Pre-Construction Brackets



ARIA's Builder Series is designed for economical installations that only require background music.

ARIA's Dual Voice coil speakers deliver stereo balanced sound in a single speaker, making them ideal for use in small areas such as hallways, bathrooms, or entryways.



IC503

5-1/4" In-Ceiling Speakers

- 5-1/4" woofer w/polypropylene cone & treated foam surround, 1" voice coil, 8 oz. magnet
- 13mm tweeter with mylar dome
- Power handling: 50W
- Spring loaded terminals, 14 AWG
- Small perforated designer grille
- Mounting template and paint shield included
- Use with **IC52B** Pre-Construction Bracket (hole size: 6-1/2" D) - sold separately
- Dimensions: 8" (OD) x 2-3/4" (H)

IC52B- Pre-Construction Bracket



IC607

6-1/2" In-Ceiling Speakers

- 6-1/2" woofer w/polypropylene cone & treated foam surround, 1" voice coil, 8 oz. magnet
- 13mm tweeter with mylar dome
- Power handling: 70W
- Small perforated designer grille
- Spring loaded terminals, 14 AWG
- Mounting template and paint shield included
- Use with **IC65B** Pre-Construction Bracket (hole size: 7-1/2" D) - sold separately
- Frequency response: 50kHz to 20kHz
- Dimensions: 9" (OD) x 2-3/4" (H)

IC65B- Pre-Construction Bracket



ID652 (Soprano Series)

6-1/2" Dual Voice Coil In-Ceiling Speaker

- 6-1/2" Dual Voice Coil woofer polypropylene cone with rubber surround (no foam)
- Dual 1/2" fluid-cooled ultra-wide dispersion mylar tweeters (swivel independently up to 45°)
- Dual 2nd order Butterworth crossover networks
- Thermal-sensing polymer switches to prevent blown tweeter; 8-ohm impedance
- Power handling: 65W RMS (92W peak)
- Frequency response: 55Hz-20KHz ± 3dB
- Sensitivity: 89dB (for 2.83 pink noise)
- Dual 14 AWG spring-loaded push terminals
- Small perforated designer grille
- Mounting template and paint shield included
- Use with **IC65B** Pre-Construction Bracket (hole size: 7-1/2" D) - sold separately
- Dimensions: 9-1/4" (OD) x 3-1/2" (H)

IC65B- Pre-Construction Bracket



ID850 (Soprano Series)

8" Dual Voice Coil In-Ceiling Speaker

- 8" Dual Voice Coil woofer polypropylene cone with true rubber surround (no foam)
- Dual 1/2" fluid-cooled ultra-wide dispersion mylar tweeters (swivel independently up to 45°)
- Thermal-sensing polymer switches to prevent blown tweeter
- 18dB/octave crossover network
- Power handling: 75W RMS (106W peak)
- Frequency response: 55Hz-20KHz ± 3dB
- Sensitivity: 90dB, 8-ohm impedance
- Dual 14 AWG spring-loaded push terminals
- Small perforated designer grille
- Mounting template and paint shield included
- Use with **IC80B** Pre-Construction Bracket (hole size: 9-1/2" D) - sold separately
- Dimensions: 10-3/4" (OD) x 4" (H)
- Retail packaging

IC80B- Pre-Construction Bracket



Soprano Series full line of indoor, outdoor & in-wall speakers are finely crafted to provide the finest quality of sound everywhere in your home.



IW601 (Soprano Series)

6-1/2" In-Wall Speakers

- 6-1/2" mica filled polypropylene woofer with Butyl rubber surround
- 18 oz. magnet
- 2nd order Linkwitz-Riley crossover, 12dB per octave with thermal-sensing polyswitches to prevent blown tweeter
- Pivoting tweeter: 1" voice coil, enclosed, rare earth neodymium magnet, silk soft dome
- Frequency response: 45Hz-20KHz ± 3dB
- Recommended power: 20W - 150W
- Sensitivity: 90dB(1W/1M)
- 8-ohm nominal impedance
- 14 AWG gold plated terminal posts
- Small perforated designer grille
- Mounting template, and paint shield included
- Use with **IW65B** Pre-Construction Bracket (hole size: 10-5/8" (L) x 7-1/4" (W) - sold separately)
- Dimensions: 12" (L) x 8-3/4" (W) x 3-1/2" (H)

IW65B- Pre-Construction Bracket



IW801 (Soprano Series)

8" In-Wall Speakers

- 8" mica filled polypropylene woofer with Butyl rubber surround
- 20 oz. magnet
- 2nd order crossover, 12dB per octave with thermal-sensing polyswitches to prevent blown tweeter
- Pivoting tweeter: 1" teterone dome, neodymium magnet
- Frequency response: 35Hz-20KHz ± 3dB
- Power handling: 175W
- Sensitivity: 90dB(1W/1M)
- 8-ohm nominal impedance
- 14 AWG gold plated terminal posts
- Small perforated designer grille
- Mounting template, and paint shield included
- Use with **IW80B** Pre-Construction Bracket (hole size: 12-5/8" (L) x 7-1/4" (W) - sold separately)
- Dimensions: 14" (L) x 10" (W) x 3-1/2" (H)

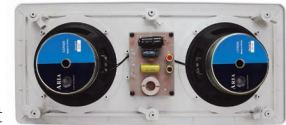
IW80B- Pre-Construction Bracket

LCR525 (Soprano Series)

5-1/4" In-Wall Left-Center-Right Speakers

- Fits between 14" stud
- Can be used as a center channel as well as left/right channel
- 5-1/4" Dual poly mica cone woofer with real rubber surround, 1-1/2" voice coil
- 12dB per octave passive crossover
- 1" tweeter w/ neodymium magnet, silk soft dome with swivel capability
- Thermal-sensing polymer switches to prevent blown tweeter
- 14 AWG gold plated terminal posts
- Small perforated designer grille
- Mounting template and paint shield included
- Power handling: 150W RMS
- Frequency response: 40Hz - 20KHz +/-3dB
- 8-ohm nominal impedance
- Use with **LCR52B** Pre-Construction Bracket (hole size: 6-1/2" (L) x 13" (W) - sold separately)
- Dimensions: 7-3/4" (L) x 14-1/4" (W) x 3-1/2" (D)
- Retail packaging

LCR52B- Pre-Construction Bracket

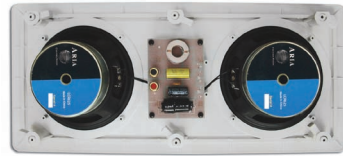


7.2 Surround Sound Configuration





Soprano Series full line of indoor, outdoor & in-wall speakers are finely crafted to provide the finest quality of sound everywhere in your home.



LCR625 (Soprano Series)

6-1/2" In-Wall Left-Center-Right Speakers

- Can be used as a center channel as well as a left/right channel
- 6-1/2" Dual mica filled polypropylene woofer with Butyl rubber surround
- 1.25" voice coil, 20 oz. magnet
- 12dB per octave passive crossover
- Pivoting tweeter: enclosed, rare earth neodymium magnet, silk soft dome
- Thermal-sensing polymer switches to prevent blown tweeter
- 14 AWG gold plated terminal posts
- Recommended power: 20W-150W
- Sensitivity: 90dB(1W/1M)
- Frequency response: 40Hz to 20KHz +/-3dB
- 8-ohm nominal impedance
- Small perforated designer grille
- Mounting template paint shield included
- Use with **LCR65B** Pre-Construction Bracket (hole size: 7-1/2" (L) x 18-3/4" (W) - sold separately)
- Dimensions: 8-7/8" (L) x 20-1/4" (W) x 4-1/4" (D)
- Retail packaging

LCR65B- Pre-Construction Bracket

Soprano Series Outdoor Speakers



OS525

5-1/4" Outdoor Speaker

- 5-1/4" woofer with mica mix cone
- 1" teterone soft dome tweeter
- 1-1/2" voice coil
- 18dB/octave crossover network
- Thermal-sensing polymer switches to prevent blown tweeter
- Frequency response: 45Hz-20KHz ± 3dB
- Power handling: 100W RMS
- Sensitivity: 89dB(1W/1M)
- 6-ohm nominal impedance
- 14 AWG gold plated terminal posts
- Weather resistant design with UV protected cabinet to prevent sun fade
- Waterproof
- Aluminum grilles & brackets
- Stainless steel hardware
- Dimensions: 11" (L) x 6-3/4" (W) x 7-1/2" (H)
- Retail packaging

OS610

6-1/2" Outdoor Speaker

- 6-1/2" injected polypropylene woofer with Butyl rubber surround
- 1" fluid-cooled silk tweeter with 12oz. magnet structure
- 2nd order Linkwitz-Riley crossover, 12dB per octave
- Thermal-sensing polymer switches to prevent blown tweeter
- Frequency response: 55Hz-20KHz ± 3dB
- Recommended power: 10W-150W
- Sensitivity: 88dB(1W/1M)
- 6-ohm nominal impedance
- 14 AWG gold plated terminal posts
- Weather resistant design with UV protected cabinet to prevent sun fade
- Waterproof
- Aluminum grilles & brackets
- Stainless steel hardware
- Dimensions: 13-1/2" (L) x 8-1/2" (W) x 8-3/4" (H)
- Retail packaging





AB-124 / AB-124IA



Multisource A-BUS® Amplified Key Pad

- Audio amplification to in-room speakers
- IR-receiver for control of external equipment
- Operable via remote control or local push-button
- Features blue backlit keypad and visual LED indicators for confirmation of IR, status & volume level
- Single-gang box with decorator faceplate
- Screwless decorator plate included
- Available in White (AB-124) Ivory or Almond (AB-124IA)



AB-202

Single-Source A-BUS® Distribution Module

- Single CAT5 output for audio distribution
- Single source input
- (4) IR emitter outputs for control of external equipment
- Status and IR feedback indicators



AB-301 / AB-301IA

Universal Input Module

- Versatile design allows for local zone or main source input
- (2) IR emitter outputs for control of external equipment
- Features both RJ-45 and 110 connectors for easy installation
- Single-gang box with decorator faceplate installation (wallplate not included)
- Available in White (AB-301), Ivory or Almond (AB-301IA)



iPod® not included



AB-311

iBus® Wall Dock for A-BUS®

- Fits into any pre-wired A-BUS audio installation
- Is a local input module
- Senses audio to override the main source
- Charges the iPod
- Is compatible with iPods that use a dock connector including: iPod Video, iPod Photo, iPod, iPod Nano, iPod Mini
- Can be mounted in a standard double-gang wallplate next to A-BUS Audio amplified keypad
- Multiple clips provided to accommodate all compatible iPods

AB-404

Panel Distribution Module

- Accepts source from AB-202 and distributes to (4) zones
- Provides power, status and IR distribution to all locations
- Output connector for system expansion
- Simple 110 punch down connection for easy install
- AB-T2454 power transformer required



AB-414ES

1 x 4 In-Wall A-BUS® Audio Distribution Module

- Installs easily in a standard double-gang low voltage ring
- Integrated single source audio input
- (2) common IR emitter outputs
- Input and output expansion connectors
- AB-T2454 power transformer included



P-1014

1 x 4 A-BUS® Audio Distribution Module

- RJ-45 & 110 punch down connectors
- Local and system audio inputs with selectable priority
- Expansion to additional zones
- (4) common IR emitter outputs
- Page through speakers in the house
- AB-T2454 power transformer included



P-1044



4-Source/4-Zone A-BUS® Audio Matrix

- LED status indicators
- Source specific IR-routing
- RJ-45 or RCA input connectors
- RJ-45 or 110 output connectors
- Any zone can select and listen to any source independently
- Easily expandable for additional zones
- AB-T2454 power transformer included
- Page through speakers in the house*
- *Additional products required



A0501

Remote Control

- Easily controls your whole-house audio system
- No programming necessary
- Compatible with: P-1044, A4601/Plus A4601R, A0312, AB-114 and AB-124



A0502



Remote Control

- Easily controls your whole-house audio system
- No programming necessary
- Compatible with: P-1044, A4601, A0312, P-0321 (AFFINITY™), and AB-124





Pulling CAT5 around the house allows you the flexibility to expand your audio system, computer network or phone system.

AB-901 / AB-901IA
1-Source 4-Zone A-BUS® Audio Kit w/ Speakers

*includes (4 pairs) IC602



- (4) AB-124 Amplified Keypad
- (1) AB-202 Single Source Module
- (1) AB-404 4-Zone Panel Distribution Hub
- (1) A0501 Remote Control
- (1) AB-T2454 Power for AB-404
- (4 pairs) IC612 6.5" In-Ceiling Speakers*
- (2) IR-3002 Dual IR Flasher
- (1) J-110 Punch Down Tool
- (4) Single-Gang Decorator Plates included
- Available in White (AB-901), or Ivory and Almond (AB-901IA)

AB-902 / AB-902IA
1-Source 4-Zone A-BUS® Audio Kit with Panel Distribution Module



- (4) AB-124 Amplified Keypad
- (1) AB-202 Single Source Module
- (1) AB-404 4-Zone Panel Distribution Hub
- (1) A0501 Remote Control
- (1) AB-T2454 Power for AB-404
- (2) IR-3002 Dual IR Emitter
- (1) J-110 Punch Down Tool
- (4) Single-Gang Decorator plates included
- Available in White (AB-902), or Ivory and Almond (AB-902IA)

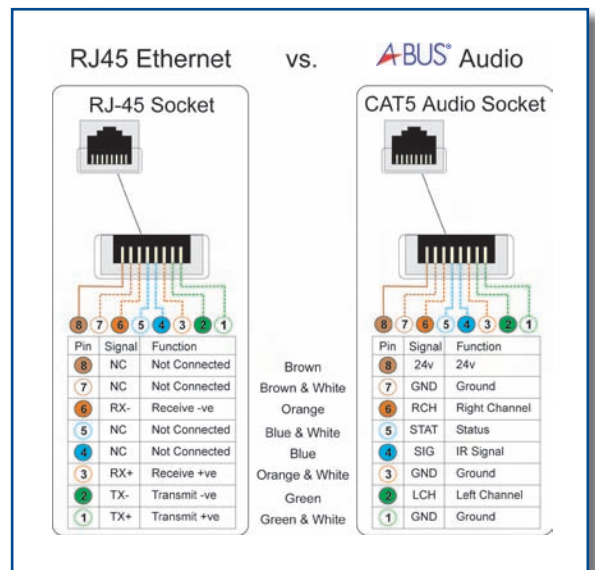
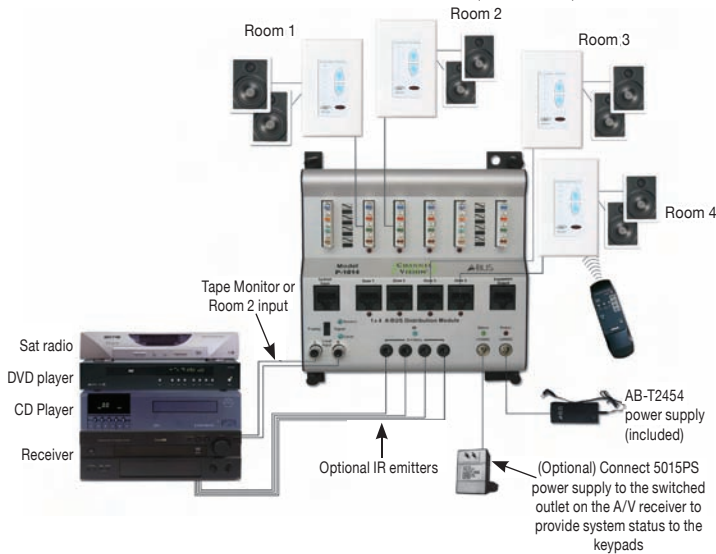
AB-903 / AB-903IA NEW
1-Source 4-Zone A-BUS® Kit with In-Wall Distribution Module

- (4) AB-124 Amplified Keypad
- (1) AB-414ES In-Wall 4-Zone A-BUS Distribution Module
- (1) AB-T2454 Power Transformer
- (2) IR-3002 Dual IR Emitters
- (4) Single-Gang Decorator plates Included
- Available in White (AB-903) or Ivory and Almond (AB-903IA)

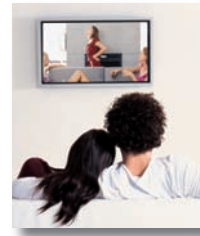


AB-T2454
24VDC Power Supply

- Provides 24VDC (3.2A) for A-BUS® Audio system operation
- Modular construction with "power on" indicator
- 120VAC-240VAC input
- UL, CE, and TUV approved



The P-1400, zero-loss video extender is capable of distributing component video, S-video and composite video over a 25m pre-made cable without any loss of video signal. It provides natural color rendition, perfect HDTV images and offers the cleanest cable delivery available today for flawless delivery of high quality video to a home theatre.



**P-1400
HDTV-Zero Loss Video Extender**

- Eliminates soft picture problems with runs to projector or plasma TVs
- All connectors are pre-installed
- Installs easily in a 19" rack (using a P-1300) or in a structured wire enclosure
- Two units can cascade for applications up to 150 ft.
- Distributes all analog video formats on a single cable (RGB, composite, S-video)
- High isolation on all video signals (keeps S-video out of component signal)
- Shielded pair Aux connection for: stereo audio, IR signals or 12V trigger signals
- Fits 1" conduit (pull loop included)



**P-1420
6 x 4 HDTV Component Audio Video Matrix Switcher**

- (6) component sources in, (4) matrix audio and video out
- RS-232 & IR control capabilities
- Audio and component video switched simultaneously
- Easy to read LED display
- Remote included
- Rack ears included



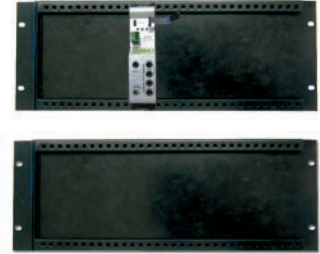
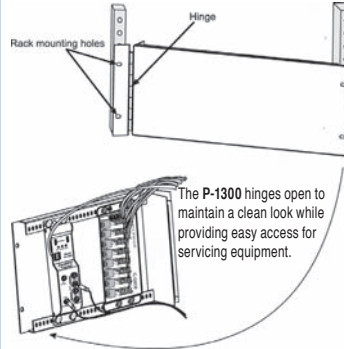
**3111
Video Balun**

- Compact design with simple connections
- Converts video to twisted pair wires
- Transmits color video over 1,000 ft. on CAT5
- Transmits B&W video over 2,500 ft. on CAT5



**P-1300
Hinged Rack Plate**

- Hinges open to maintain a clean look in a 19" rack
- Easy access for servicing equipment
- Creates a structure wire grid in a 19" rack
- 4 rack units high



**VDA-12
1 in 12 out Audio/Video Baseband Distribution Amplifier**

- 17" component
- High power output drive stage
- 500 lines resolution
- Video S/N ratio: 57dB
- Audio S/N ratio: 49dB
- Video gain adjustable
- Built-in clamp circuit, gold plated RCA socket
- Inline power adapter for cleaner installations



**VB-1
The Video Balun Kit**

- Comprised of two components – the powered unit (VBS78-SP) and the unit at the camera location (VBS78-PW)
- Enables easy distribution of video & power via single CAT5 wire
- 800'-1600' run capability

